

JELD-WEN®

WINDOWS & DOORS

DESIGN PRO / SMOOTH PRO FULL LITE

NON-IMPACT

FOR USE OUTSIDE THE HIGH VELOCITY HURRICANE ZONE (HVHZ)

GENERAL NOTES:

- THE PRODUCT SHOWN HEREIN IS DESIGNED AND MANUFACTURED TO COMPLY WITH THE CURRENT INTERNATIONAL BUILDING CODE (IBC), INTERNATIONAL RESIDENTIAL CODE (IRC), AND FLORIDA BUILDING CODE (FBC), **EXCLUDING** HVHZ AND HAS BEEN EVALUATED ACCORDING TO THE FOLLOWING:
 - ASTM E330-02
 - ASTM E283-04
 - AAMA 1304-02
- ADEQUACY OF THE EXISTING STRUCTURAL CONCRETE/MASONRY OR 2X FRAMING AS A MAIN WIND FORCE RESISTING SYSTEM CAPABLE OF WITHSTANDING AND TRANSFERRING APPLIED PRODUCT LOADS TO THE FOUNDATION IS THE RESPONSIBILITY OF THE ENGINEER OR ARCHITECT OF RECORD FOR THE PROJECT OF INSTALLATION.
- THE INSTALLATION DETAILS DESCRIBED HEREIN ARE GENERIC AND MAY NOT REFLECT ACTUAL CONDITIONS FOR A SPECIFIC SITE. IF SITE CONDITIONS CAUSE INSTALLATION TO DEVIATE FROM THE REQUIREMENTS DETAILED HEREIN, A LICENSED ENGINEER OR ARCHITECT SHALL PREPARE SITE SPECIFIC DOCUMENTS FOR USE WITH THIS DOCUMENT.
- APPROVED IMPACT PROTECTIVE SYSTEM **IS REQUIRED** ON THIS PRODUCT IN AREAS REQUIRING IMPACT RESISTANCE.
- GLASS MEETS THE REQUIREMENTS OF ASTM E 1300 GLASS CHARTS. SEE SHEET 6 FOR GLAZING DETAILS.
- FULL LITE APPROVAL COVERS USE OF FRACTIONAL GLAZING, INCLUDING INTERNAL GRID, BLINDS BETWEEN GLASS, DECORATIVE, AND EXTERNAL AND INTERNAL WROUGHT IRON. VENT LITES ARE QUALIFIED FOR 6'-8" DOORS ONLY. RADIUS (SHAPED) LITES ARE QUALIFIED FOR 6'-8" DOORS AT DP +/-50 PSF ONLY.
- NOTE: AFCO H-497 SILL MEETS WATER INFILTRATION AT WATER TEST PRESSURE (WTP) OF 9.75 PSF. REMAINING SILLS NOT RATED FOR WATER INFILTRATION. IF AUTHORITY HAVING JURISDICTION REQUIRES THAT PRODUCT MEETS THIS REQUIREMENT, PRODUCT SHALL BE USED WHEN INSTALLED AT LOCATION PROTECTED BY OVERHANG SUCH THAT OVERHANG (OH) RATIO = OH LENGTH ÷ OH HEIGHT IS ≥ 1.0

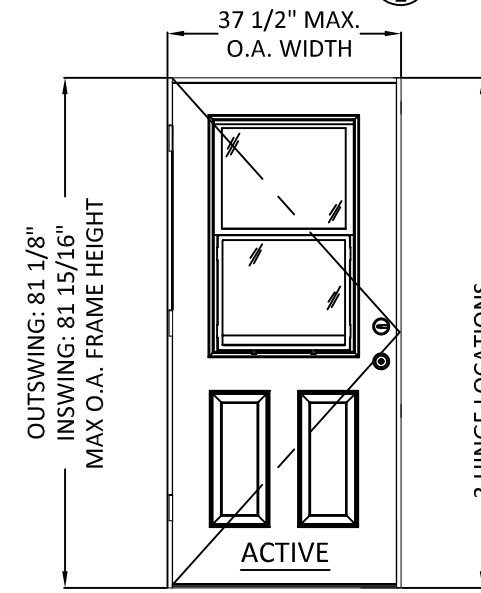
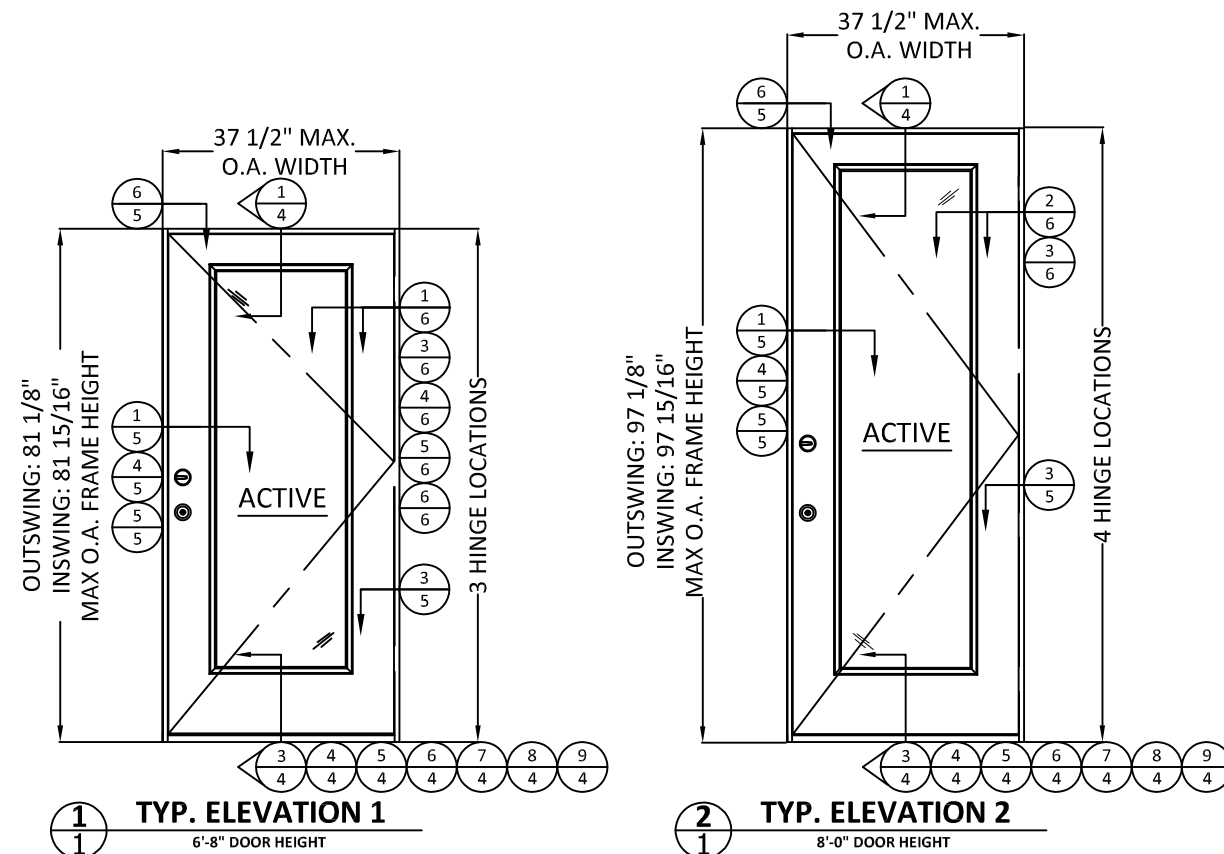


TABLE OF CONTENTS		
SHEET	REVISION	SHEET DESCRIPTION
1	A	TYPICAL ELEVATIONS, DESIGN PRESSURES, AND GENERAL NOTES
2	A	TYPICAL ANCHOR LAYOUTS AND NOTES
3	-	OPTIONAL 2X BUCK ANCHORING DETAILS
4	A	VERTICAL ASSEMBLIES
5	A	HORIZONTAL ASSEMBLIES
6	A	GLAZING DETAILS
7	A	WOOD SUBSTRATES
8	A	CONCRETE SUBSTRATES
9	A	COMPONENTS & BILL OF MATERIALS

NOTE:
DOORS SHOWN ABOVE MAY BE LEFT OR RIGHT HAND OPERATING DOORS.

CONFIGURATION	MAX. OVERALL NOMINAL SIZE		DESIGN PRESSURE (PSF)				MISSILE IMPACT RATING
	WIDTH	HEIGHT	INSWING		OUTSWING		
			POS.	NEG.	POS.	NEG.	
X	3'-0"	6'-8"	50*	50	50*	50	NON-IMPACT
X RADIUS	3'-0"	6'-8"	50*	50	50*	50	NON-IMPACT
X VENT	3'-0"	6'-8"	50*	50	50*	50	NON-IMPACT
X	3'-0"	8'-0"	50*	50	50*	50	NON-IMPACT

*SEE GENERAL NOTE 7, SHEET 1, FOR WATER INFILTRATION APPROVED SILLS.

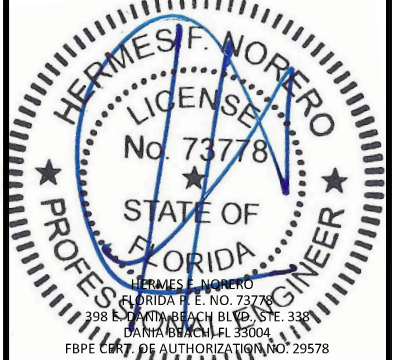
PREPARED BY:

BUILDING DROPS, INC.
 398 E. DANIA BEACH BLVD., STE. 338
 DANIA BEACH, FL 33004
 PH: (954)399-8478
 FAX: (954)744.4738
 WEB: www.buildingdrops.com

TITLE: DESIGN PRO/SMOOTH PRO FULL LITE NON-IMPACT
 TYPICAL ELEVATIONS, DESIGN PRESSURES, AND GENERAL NOTES
 3737 LAKEPORT BLVD., KLAMATH FALLS, OR 97601
 PH: (541)882-3451 FAX: (541)850-2609

REMARKS	BY	DATE
Add ADA sill, Multi-Point Lock	GL	06/05/14
Reference DWG. #A010832A	AM	09/04/19

THE INSTALLATION DETAILS DESCRIBED HEREIN ARE GENERIC AND MAY NOT REFLECT ACTUAL CONDITIONS FOR A SPECIFIC SITE. IF SITE CONDITIONS CAUSE INSTALLATION TO DEVIATE FROM THE REQUIREMENTS DETAILED HEREIN, A LICENSED ENGINEER OR ARCHITECT SHALL PREPARE SITE SPECIFIC DOCUMENTS FOR USE WITH THIS DOCUMENT.

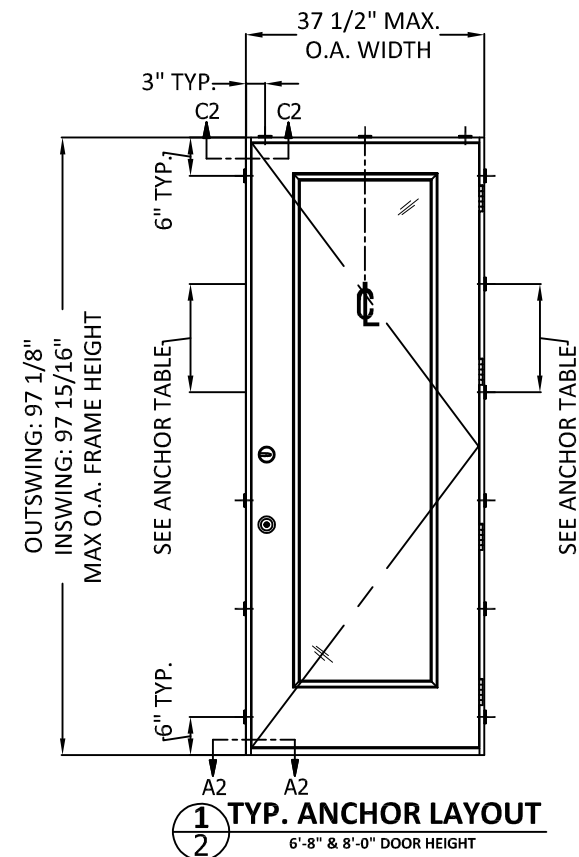


DATE: 02.05.14
 DWG. BY: GL/TJM CHK. BY: SS/MSS
 SCALE: NTS
 DWG. #: D015687
 SHEET: 1 OF 9

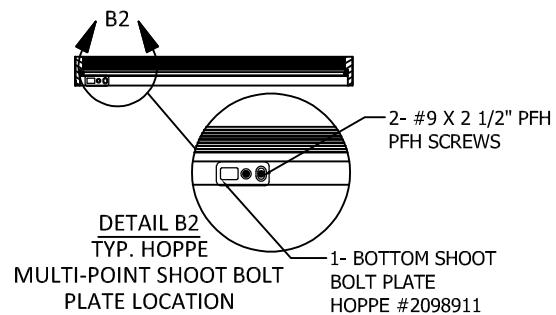
INSTALLATION NOTES:

- ONE (1) INSTALLATION ANCHOR IS REQUIRED AT EACH ANCHOR LOCATION SHOWN.
- SHIM AS REQUIRED AT EACH INSTALLATION ANCHOR WITH LOAD BEARING SHIM(S). MAXIMUM ALLOWABLE SHIM STACK TO BE 1/4 INCH. SHIM WHERE SPACE OF 1/16 INCH OR GREATER OCCURS. SHIM(S) SHALL BE CONSTRUCTED OF A NON-COMPRESSIBLE COMPOSITE OR BETTER.
- MINIMUM EMBEDMENT AND EDGE DISTANCE EXCLUDE WALL FINISHES, INCLUDING BUT NOT LIMITED TO STUCCO, FOAM, BRICK VENEER, AND SIDING.
- INSTALLATION ANCHORS AND ASSOCIATED HARDWARE MUST BE MADE OF CORROSION RESISTANT MATERIAL OR HAVE A CORROSION RESISTANT COATING, AND SHALL BE INSTALLED IN ACCORDANCE WITH ANCHOR MANUFACTURER'S INSTALLATION INSTRUCTIONS.
- FOR HOLLOW BLOCK AND GROUT FILLED BLOCK, DO NOT INSTALL INSTALLATION ANCHORS INTO MORTAR JOINTS. EDGE DISTANCE IS MEASURED FROM FREE EDGE OF BLOCK OR EDGE OF MORTAR JOINT INTO FACE SHELL OF BLOCK.
- FOR 2X STUD CONSTRUCTION, ANCHORING OF THESE PRODUCTS SHALL BE THE SAME AS FOR 2X BUCK CONCRETE/MASONRY CONSTRUCTION.
- INSTALLATION ANCHOR CAPACITIES FOR PRODUCTS HEREIN ARE BASED ON SUBSTRATE MATERIALS WITH THE FOLLOWING PROPERTIES:
 - WOOD - MINIMUM SPECIFIC GRAVITY OF 0.55.
 - CONCRETE - MINIMUM COMPRESSIVE STRENGTH OF 3000 PSI.
 - GROUT-FILLED CMU- UNIT STRENGTH CONFORMS TO ASTM C-90 WITH MINIMUM COMPRESSIVE STRENGTH OF 2000 PSI AND GROUT CONFORMS TO ASTM C 476, MINIMUM GROUT COMPRESSIVE STRENGTH OF 2000 PSI.
 - HOLLOW BLOCK CMU - UNIT STRENGTH CONFORMS TO ASTM C-90 WITH MINIMUM COMPRESSIVE STRENGTH OF 2000 PSI.
- SEE SHEETS 7 AND 8 FOR MORE DETAILS OF THE INSTALLATION REQUIREMENTS, INCLUDING ANCHOR LOCATIONS, EDGE DISTANCES, EMBEDMENTS, AND SHIM SPACING.
- OPTIONALLY, ANCHORS CAN BE PLACED IN NARROW SECTION OF HEAD OR JAMB AS LONG AS MINIMUM EMBEDMENT AND EDGE DISTANCE ARE ACHIEVED.

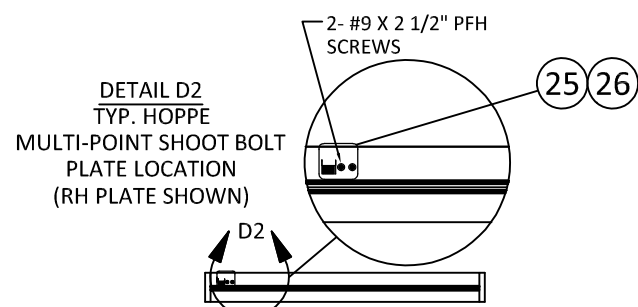
ANCHOR TABLE						
ANCHOR TYPE	ANCHOR SIZE	SUBSTRATE	MIN. EMBEDMENT	MIN. EDGE DISTANCE	6'8" DOORS	8'0" DOORS
					MAX. O.C. SPACING AT JAMBS	MAX. O.C. SPACING AT JAMBS
WOOD SCREW	#10	2X WOOD BUCK OR FRAMING	1-1/2"	3/4"	17-1/2"	17-1/4"
ITW TAPCON	3/16"	CONCRETE/CMU	1-1/4"	2-1/2"	17-1/2"	17-1/4"
ELCO ULTRACON	1/4"	CONCRETE/CMU	1-3/8" - CONC. 1-1/4" - CMU	1"	17-1/2"	17-1/4"
ITW TAPCON	3/16"	CONCRETE/CMU	1-1/4"	1"	10"	14-3/8"



NOTE:
NO ANCHORS REQUIRED AT THE SILL FOR SINGLE DOORS (X) ONLY.



(A) SILL SECTION VIEW
INSWING SHOWN OUTSWING SIMILAR
SEE DETAIL B2



(C) HEAD SECTION VIEW
INSWING SHOWN OUTSWING SIMILAR
SEE DETAIL D2

PREPARED BY:



BUILDING DROPS, INC.
398 E. DANIA BEACH BLVD., STE. 338
DANIA BEACH, FL 33004
PH: (954)399-8478
FAX: (954)744.4738
WEB: www.buildingdrops.com

TITLE: DESIGN PRO/SMOOTH PRO FULL LITE
NON-IMPACT

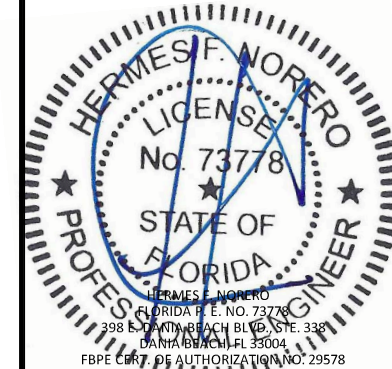
ANCHOR LAYOUTS AND NOTES

3737 LAKEPORT BLVD.,
KLAMATH FALLS, OR 97601
PH: (541)882-3451
FAX: (541)850-2609

JELD-WEN
WINDOWS & DOORS

REMARKS	BY	DATE
Add ADA sill, Multi-Point Lock	GL	06/05/14
Reference DWG. #A010832A	AM	09/04/19

THE INSTALLATION DETAILS DESCRIBED HEREIN ARE GENERIC AND MAY NOT REFLECT ACTUAL CONDITIONS FOR A SPECIFIC SITE. IF SITE CONDITIONS CAUSE INSTALLATION TO DEVIATE FROM THE REQUIREMENTS DETAILED HEREIN, A LICENSED ENGINEER OR ARCHITECT SHALL PREPARE SITE SPECIFIC DOCUMENTS FOR USE WITH THIS DOCUMENT.



DATE: 02.05.14

DWG. BY: GL/TJM CHK. BY: SS/MSS

SCALE: NTS

DWG. #: D015687

SHEET: 2 OF 9

PREPARED BY:



BUILDING DROPS, INC.
 398 E. DANIA BEACH BLVD., STE. 338
 DANIA BEACH, FL 33004
 PH: (954)399-8478
 FAX: (954)744.4738
 WEB: www.buildingdrops.com

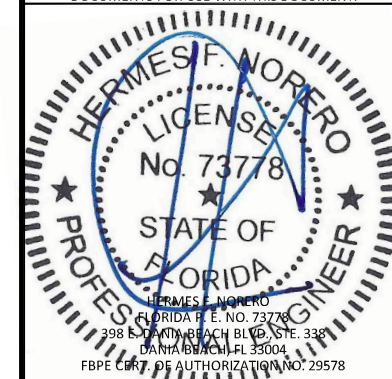
TITLE: DESIGN PRO/SMOOTH PRO FULL LITE
 NON-IMPACT
 OPTIONAL 2X BUCK
 ANCHORING DETAILS

3737 LAKEPORT BLVD.,
 KLAMATH FALLS, OR 97601
 PH: (541)882-3451
 FAX: (541)850-2609

JELD WEN
 WINDOWS & DOORS

REMARKS	BY	DATE
Add ADA sill, Multi-Point Lock	GL	06/05/14
Reference DWG. #A010832A	AM	09/04/19

THE INSTALLATION DETAILS DESCRIBED HEREIN ARE GENERIC AND MAY NOT REFLECT ACTUAL CONDITIONS FOR A SPECIFIC SITE. IF SITE CONDITIONS CAUSE INSTALLATION TO DEVIATE FROM THE REQUIREMENTS DETAILED HEREIN, A LICENSED ENGINEER OR ARCHITECT SHALL PREPARE SITE SPECIFIC DOCUMENTS FOR USE WITH THIS DOCUMENT.



DATE: 02.05.14

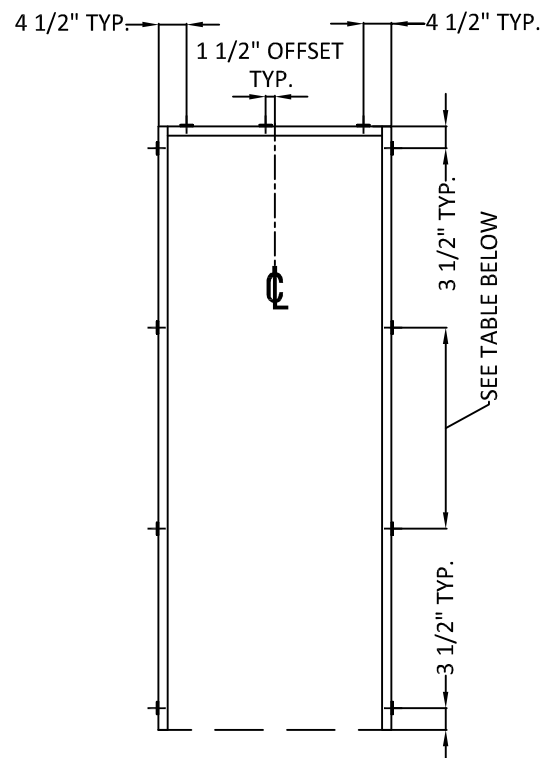
DWG. BY: GL/TJM
 CHK. BY: SS/MSS

SCALE: NTS

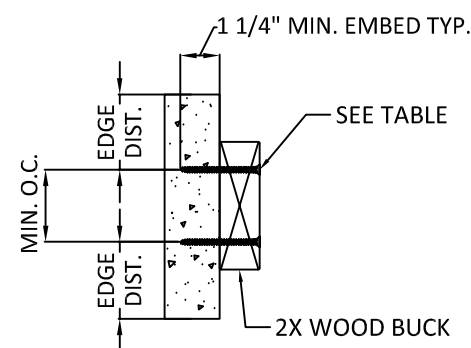
DWG. #: D015687

SHEET: OF 9

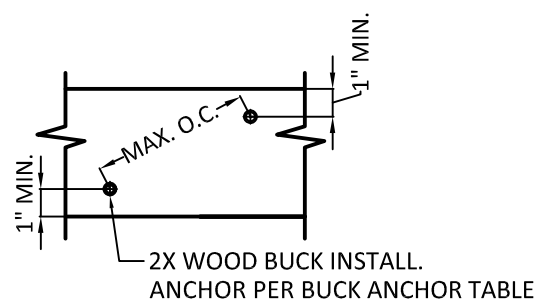
3



1 TYP. ANCHOR LAYOUT
 3 OPTIONAL 2X BUCK IN CONCRETE/MASONRY



3 2X WOOD BUCK INSTALL.
 CROSS SECTION

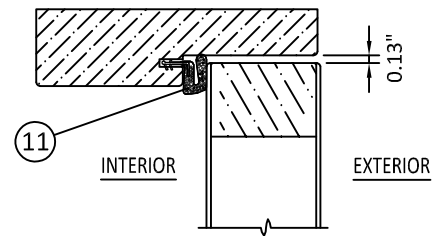


4 2X WOOD BUCK INSTALL.
 SIDE VIEW

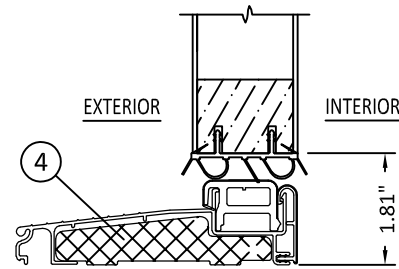
2X BUCK ANCHOR TABLE							
ANCHOR TYPE	ANCHOR SIZE	SUBSTRATE	MIN. EMBEDMENT	MIN. EDGE DIST. TO SUBSTRATE	MIN. CENTER TO CENTER DISTANCE	6'8" DOORS	8'0" DOORS
						MAX. O.C. SPACING AT JAMBS	MAX. O.C. SPACING AT JAMBS
ITW TAPCON	1/4"	CONCRETE/CMU	1-1/4"	2-1/2"	4"	25"	30-1/4"
ELCO ULTRACON	1/4"	CONCRETE/CMU	1-3/8" - CONC. 1-1/4" - CMU	1"	4"	25"	30-1/4"

NOTES:

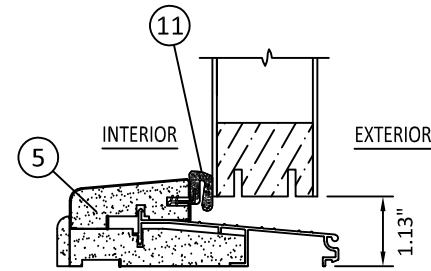
- 2X BUCK IS NOT FOR INSTALLATION AT SILL.
- ANCHORS MAY BE STAGGERED AS SHOWN IN DETAIL 4/3.



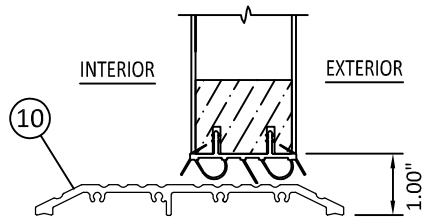
1
4 **OPERABLE HEAD**
OUTSWING SHOWN - INSWING SIMILAR



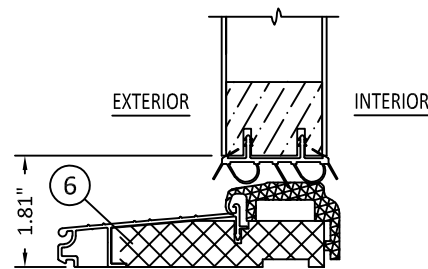
3
4 **OPERABLE SILL**
INSWING



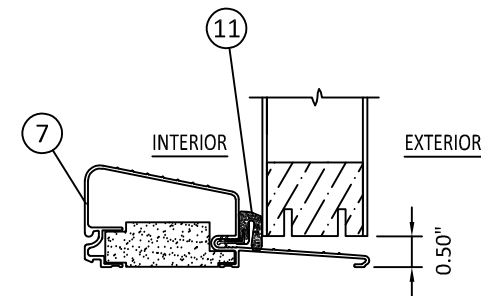
4
4 **OPERABLE SILL**
OUTSWING



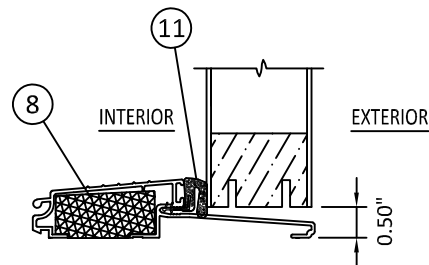
5
4 **OPERABLE ADA SILL**
INSWING/OUTSWING



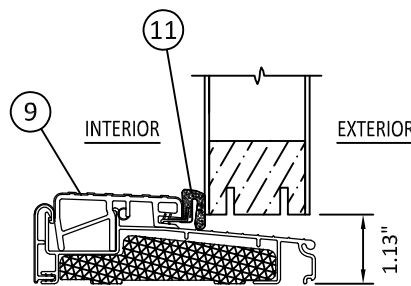
6
4 **OPERABLE SILL**
INSWING



7
4 **OPERABLE SILL**
OUTSWING
OPTIONAL AFCO H-497



8
4 **OPERABLE SILL**
OUTSWING



9
4 **OPERABLE SILL**
OUTSWING

PREPARED BY:



BUILDING DROPS, INC.

398 E. DANIA BEACH BLVD., STE. 338
DANIA BEACH, FL 33004
PH: (954)399-8478
FAX: (954)744.4738
WEB: www.buildingdrops.com

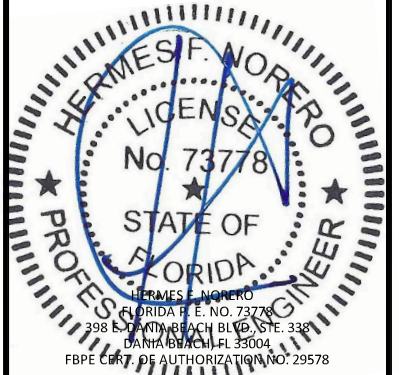
TITLE: DESIGN PRO/SMOOTH PRO FULL LITE
NON-IMPACT
VERTICAL ASSEMBLIES

3737 LAKEPORT BLVD.,
KLAMATH FALLS, OR 97601
PH: (541)882-3451
FAX: (541)850-2609

JELD-WEN
WINDOWS & DOORS

REMARKS	BY	DATE
Add ADA sill, Multi-Point Lock	GL	06/05/14
Reference DWG. #A010832A	AM	09/04/19

THE INSTALLATION DETAILS DESCRIBED HEREIN ARE GENERIC AND MAY NOT REFLECT ACTUAL CONDITIONS FOR A SPECIFIC SITE. IF SITE CONDITIONS CAUSE INSTALLATION TO DEVIATE FROM THE REQUIREMENTS DETAILED HEREIN, A LICENSED ENGINEER OR ARCHITECT SHALL PREPARE SITE SPECIFIC DOCUMENTS FOR USE WITH THIS DOCUMENT.



DATE: 02.05.14

DWG. BY: GL/TJM CHK. BY: SS/MSS

SCALE: NTS

DWG. #: D015687

SHEET: 4 OF 9

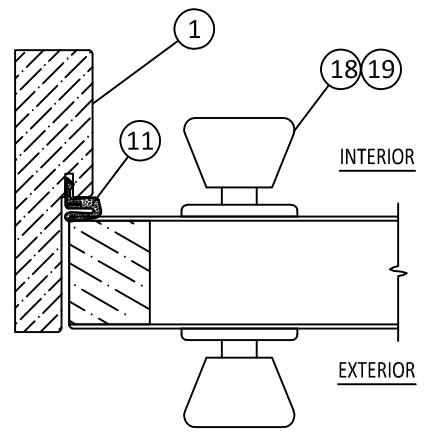
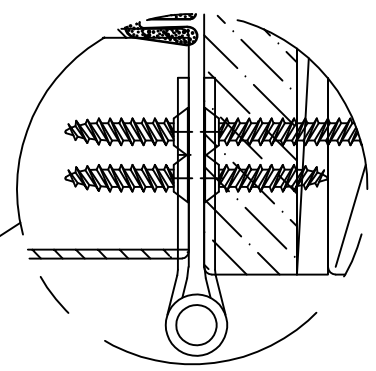
PREPARED BY:



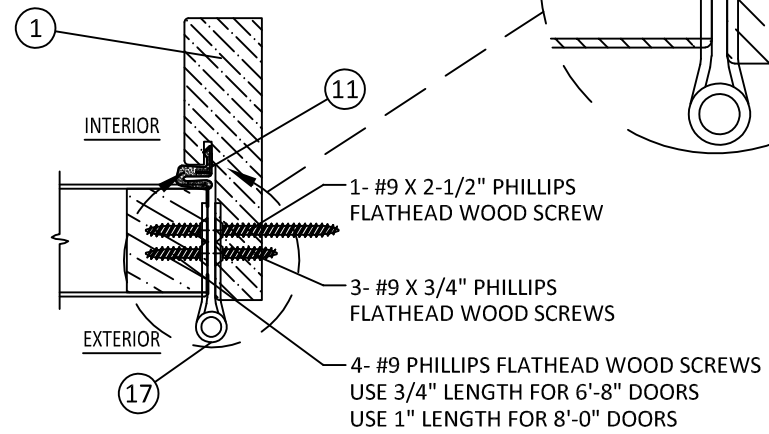
BUILDING DROPS, INC.
 398 E. DANIA BEACH BLVD., STE. 338
 DANIA BEACH, FL 33004
 PH: (954)399-8478
 FAX: (954)744.4738
 WEB: www.buildingdrops.com

HINGE SCHEDULE	
DOOR HEIGHT	QUANTITY
6'-8"	3
8'-0"	4

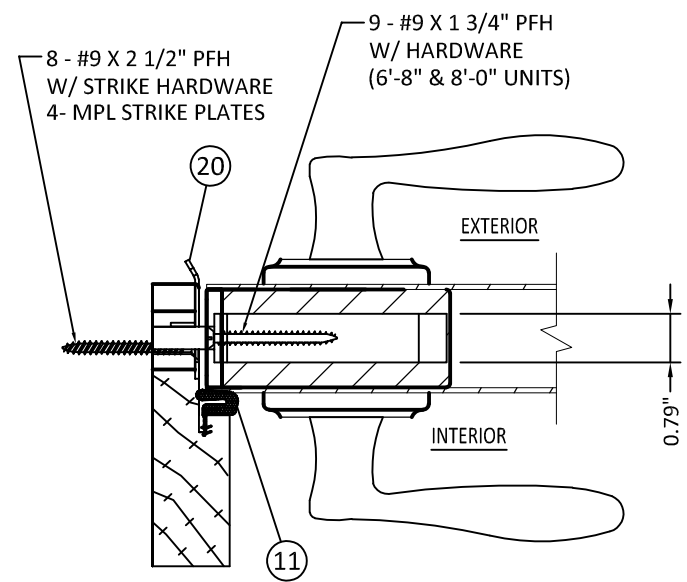
HINGE DETAIL AT JAMB:
 PLACE #9 X 2-1/2" PFH SCREW NEXT TO WEATHERSTRIP



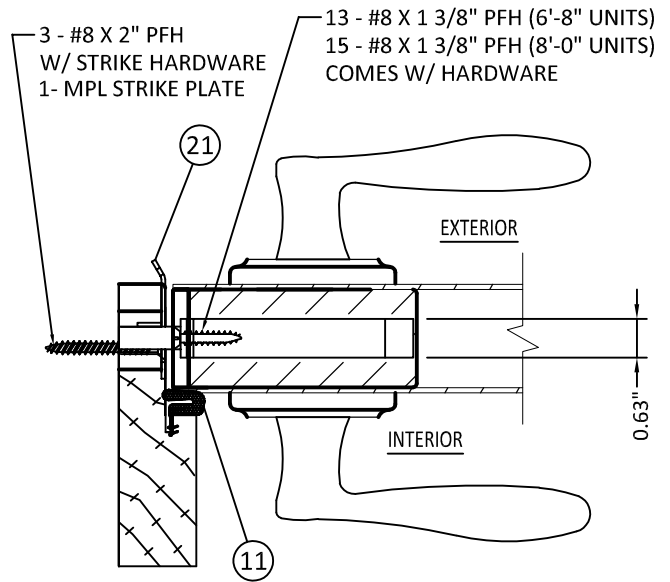
1
5 **LOCK JAMB**
 OUTSWING SHOWN - INSWING SIMILAR



3
5 **HINGE JAMB**
 OUTSWING SHOWN - INSWING SIMILAR

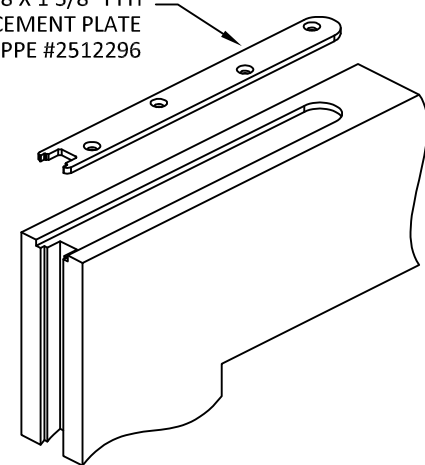


4
5 **ROCKWELL MULTI-POINT LOCK JAMB**
 OUTSWING SHOWN - INSWING SIMILAR



5
5 **HOPPE MULTI-POINT LOCK JAMB**
 OUTSWING SHOWN - INSWING SIMILAR

4 - #8 X 1 3/8" PFH
 1 - REINFORCEMENT PLATE
 HOPPE #2512296



6
5 **HOPPE MULTI-POINT LOCK**
 TOP REINFORCEMENT PLATE - ACTIVE PANEL ONLY

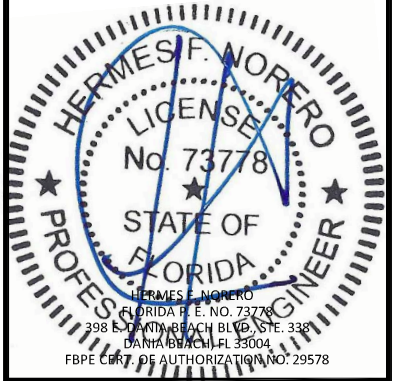
TITLE: DESIGN PRO/SMOOTH PRO FULL LITE
 NON-IMPACT
 HORIZONTAL ASSEMBLIES

3737 LAKEPORT BLVD.,
 KLAMATH FALLS, OR 97601
 PH: (541)882-3451
 FAX: (541)850-2609

JELD-WEN
 WINDOWS & DOORS

REMARKS	BY	DATE
Add ADA sill, Multi-Point Lock	GL	06/05/14
Reference DWG. #A010832A	AM	09/04/19

THE INSTALLATION DETAILS DESCRIBED HEREIN ARE GENERIC AND MAY NOT REFLECT ACTUAL CONDITIONS FOR A SPECIFIC SITE. IF SITE CONDITIONS CAUSE INSTALLATION TO DEVIATE FROM THE REQUIREMENTS DETAILED HEREIN, A LICENSED ENGINEER OR ARCHITECT SHALL PREPARE SITE SPECIFIC DOCUMENTS FOR USE WITH THIS DOCUMENT.



DATE: 02.05.14
 DWG. BY: GL/TJM | CHK. BY: SS/MSS
 SCALE: NTS
 DWG. #: D015687
 SHEET: OF 9

PREPARED BY:

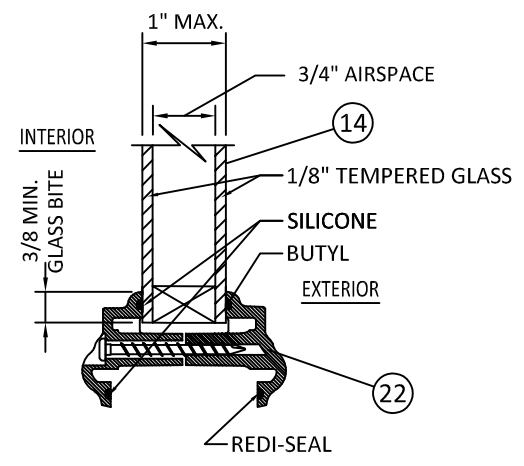


BUILDING DROPS, INC.
 398 E. DANIA BEACH BLVD., STE. 338
 DANIA BEACH, FL 33004
 PH: (954)399-8478
 FAX: (954)744.4738
 WEB: www.buildingdrops.com

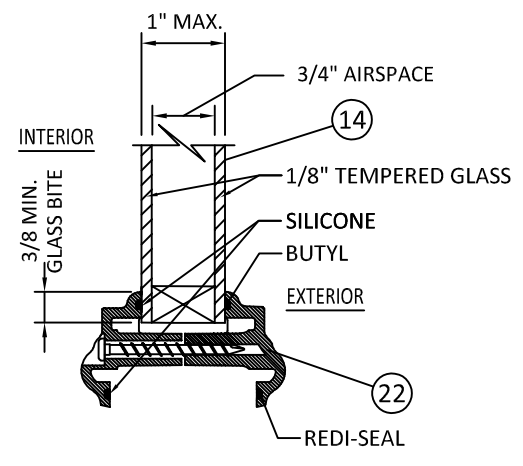
TITLE: DESIGN PRO/SMOOTH PRO FULL LITE
 NON-IMPACT
 GLAZING DETAILS

3737 LAKEPORT BLVD.,
 KLAMATH FALLS, OR 97601
 PH: (541)882-3451
 FAX: (541)850-2609

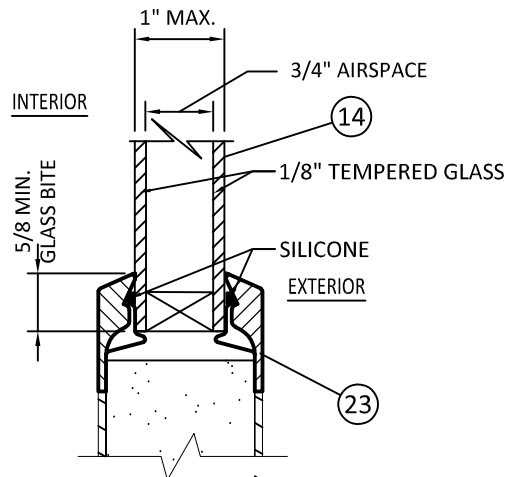
JELD-WEN
 WINDOWS & DOORS



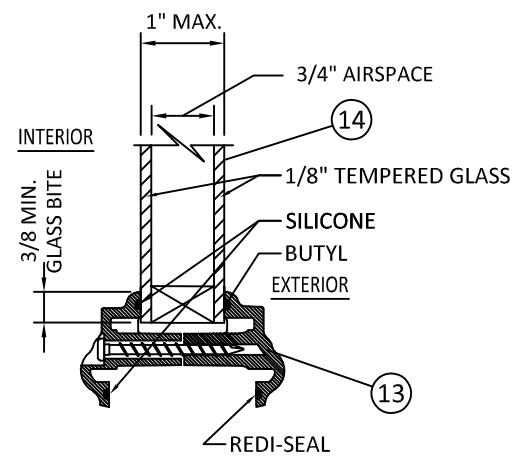
1 **6'-8" GLAZING DETAIL**
6 20 1/2" MAX. D.L.O. WIDTH
 62 1/2" MAX. D.L.O. HEIGHT



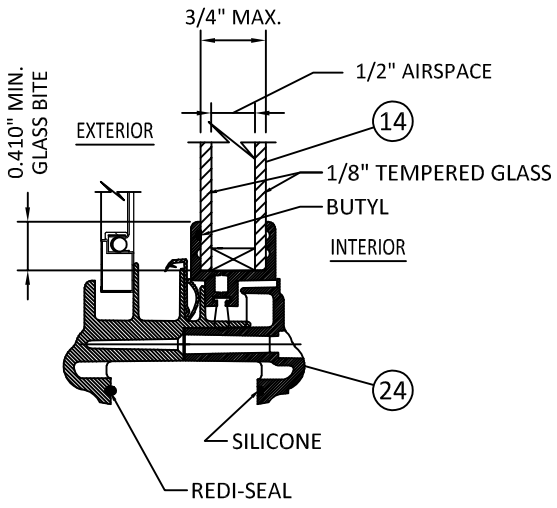
2 **8'-0" GLAZING DETAIL**
6 20 1/2" MAX. D.L.O. WIDTH
 78 1/2" MAX. D.L.O. HEIGHT



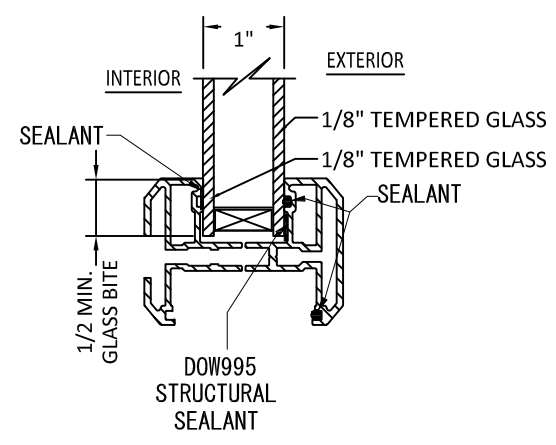
3 **FLUSH GLAZE DETAIL**
6 23 7/8" MAX. D.L.O. WIDTH
 78 7/8" MAX. D.L.O. HEIGHT



4 **GLAZING DETAIL**
6 FOR OVAL, SUNBURST, AND ROUND TOPS
 ONLY IN 6'8" UNITS AT DP+/- 50 PSF

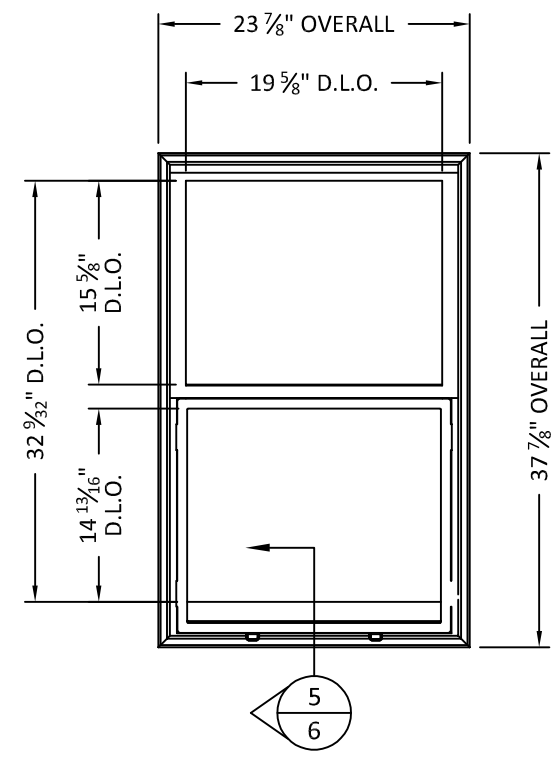


5 **GLAZING DETAIL**
6 FOR HALF LITE VENT LITES
 IN 6'8" UNITS ONLY



6 **GLAZING DETAIL OPTION**
6 20 1/2" MAX D.L.O. WIDTH
 78 1/2" MAX D.L.O. HEIGHT
 3-0 X 6-8 - DP 50
 3-0 X 8-0 - DP 50

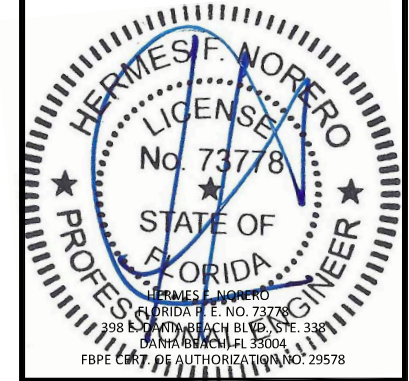
NOTE:
 FRACTIONAL GLAZING, INCLUDING INTERNAL GRID, BLINDS
 BETWEEN GLASS, DECORATIVE, EXTERNAL AND INTERNAL
 WROUGHT IRON AND RADIUS (SHAPED) LITES ARE APPROVED
 IN ALL GLAZING DETAILS SHOWN ABOVE.



24 ODL VENT LITE ASSEMBLY

REMARKS	BY	DATE
Add ADA sill, Multi-Point Lock	GL	06/05/14
Reference DWG. #A010832A	AM	09/04/19

THE INSTALLATION DETAILS DESCRIBED HEREIN ARE GENERIC AND MAY NOT REFLECT ACTUAL CONDITIONS FOR A SPECIFIC SITE. IF SITE CONDITIONS CAUSE INSTALLATION TO DEVIATE FROM THE REQUIREMENTS DETAILED HEREIN, A LICENSED ENGINEER OR ARCHITECT SHALL PREPARE SITE SPECIFIC DOCUMENTS FOR USE WITH THIS DOCUMENT.



DATE: 02.05.14	
DWG. BY: GL/TJM	CHK. BY: SS/MSS
SCALE: NTS	
DWG. #: D015687	
SHEET: 09	



BUILDING DROPS, INC.

398 E. DANIA BEACH BLVD., STE. 338
DANIA BEACH, FL 33004
PH: (954)399-8478
FAX: (954)744.4738
WEB: www.buildingdrops.com

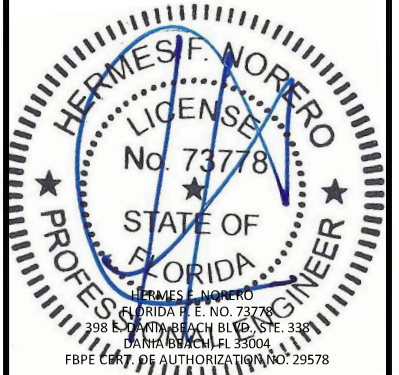
TITLE: DESIGN PRO/SMOOTH PRO FULL LITE
NON-IMPACT
WOOD INSTALLATION

3737 LAKEPORT BLVD.,
KLAMATH FALLS, OR 97601
PH: (541)882-3451
FAX: (541)850-2609

JELD-WEN
WINDOWS & DOORS

REMARKS	BY	DATE
Add ADA sill, Multi-Point Lock	GL	06/05/14
Reference DWG. #A010832A	AM	09/04/19

THE INSTALLATION DETAILS DESCRIBED HEREIN ARE GENERIC AND MAY NOT REFLECT ACTUAL CONDITIONS FOR A SPECIFIC SITE. IF SITE CONDITIONS CAUSE INSTALLATION TO DEVIATE FROM THE REQUIREMENTS DETAILED HEREIN, A LICENSED ENGINEER OR ARCHITECT SHALL PREPARE SITE SPECIFIC DOCUMENTS FOR USE WITH THIS DOCUMENT.



DATE: 02.05.14

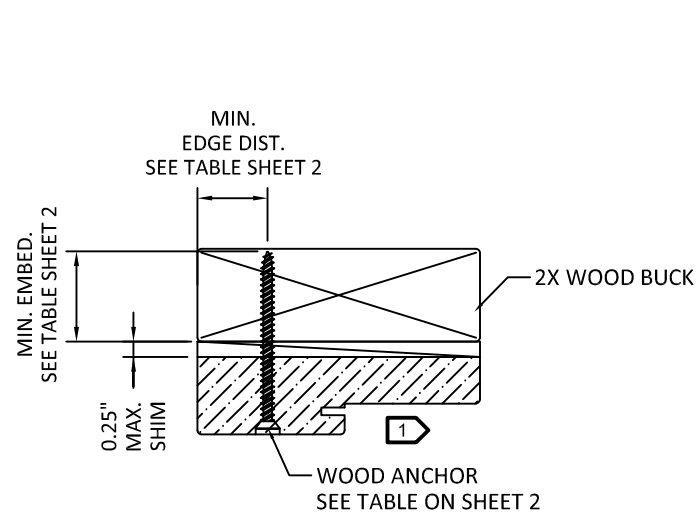
DWG. BY: GL/TJM CHK. BY: SS/MSS

SCALE: NTS

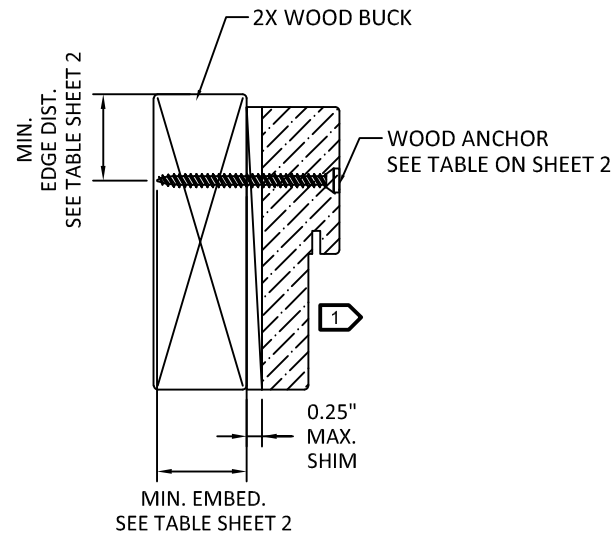
DWG. #: D015687

SHEET: OF 9

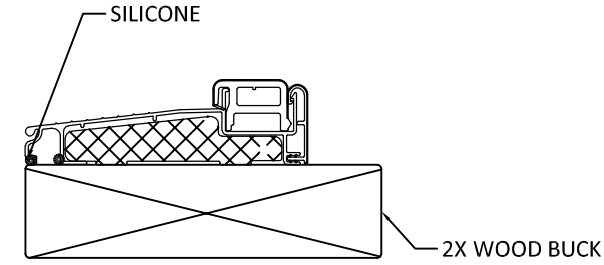
7



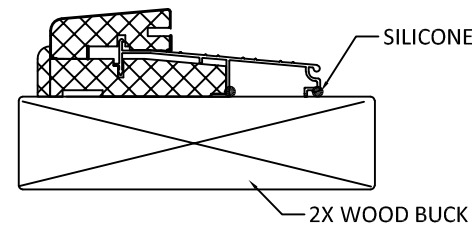
1
7 **HEAD (TYPICAL)**
OUTSWING SHOWN - INSWING SIMILAR



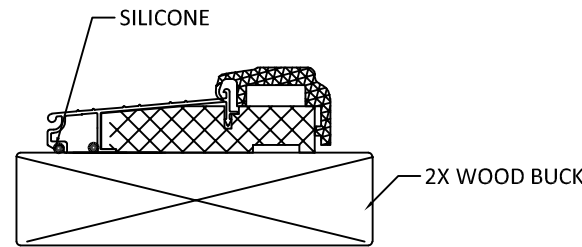
2
7 **JAMB (TYPICAL)**
OUTSWING SHOWN - INSWING SIMILAR



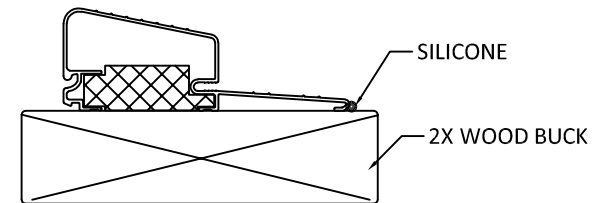
3
7 **OPERABLE SILL**
INSWING - NO ANCHOR REQUIRED



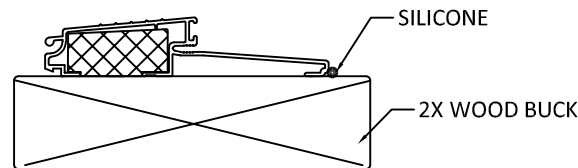
4
7 **OPERABLE SILL**
OUTSWING - NO ANCHOR REQUIRED



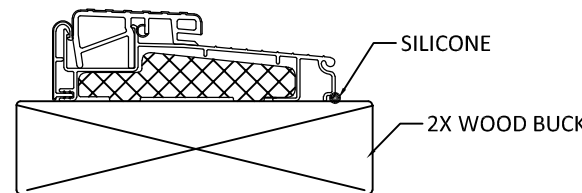
6
7 **OPERABLE SILL**
INSWING - NO ANCHOR REQUIRED



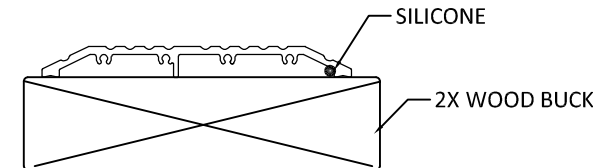
7
7 **OPERABLE SILL**
OUTSWING - NO ANCHOR REQUIRED
AFCO H-497



8
7 **OPERABLE SILL**
OUTSWING - NO ANCHOR REQUIRED

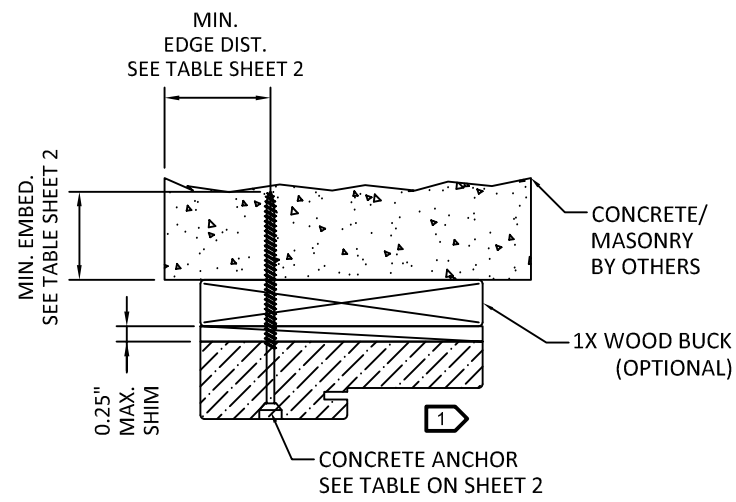


9
7 **OPERABLE SILL**
OUTSWING - NO ANCHOR REQUIRED

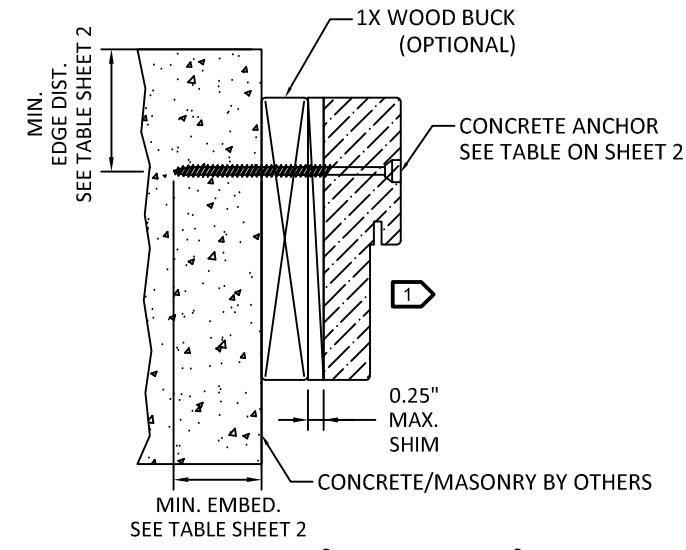


10
7 **OPERABLE ADA SILL**
INSWING/OUTSWING - NO ANCHOR REQUIRED

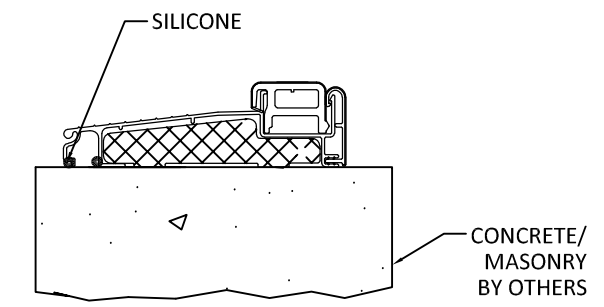
1 OPTIONALLY, ANCHOR CAN BE PLACED IN NARROW SECTION OF HEAD OR JAMB AS LONG AS MINIMUM EMBEDMENT AND EDGE DISTANCE ARE ACHIEVED.



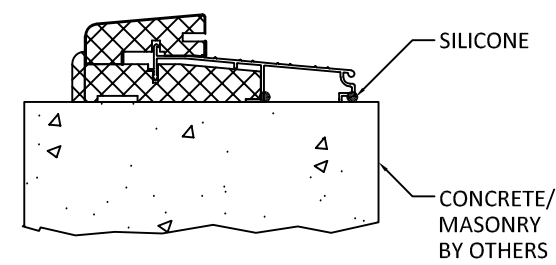
1
8 **HEAD (TYPICAL)**
OUTSWING SHOWN - INSWING SIMILAR



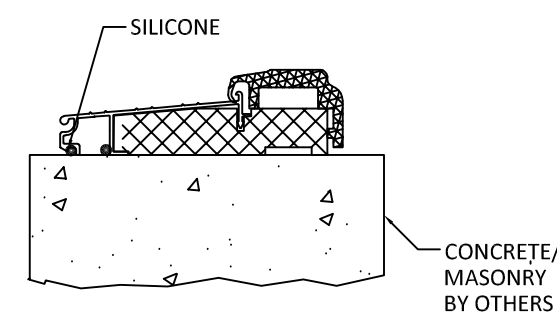
2
8 **JAMB (TYPICAL)**
OUTSWING SHOWN - INSWING SIMILAR



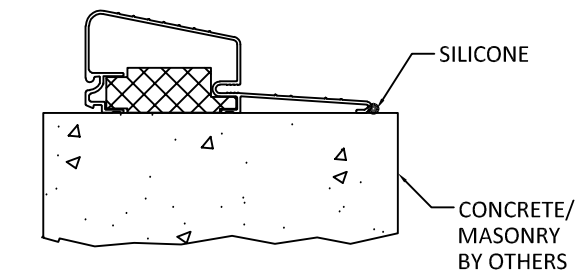
3
8 **OPERABLE SILL**
INSWING - NO ANCHOR REQUIRED



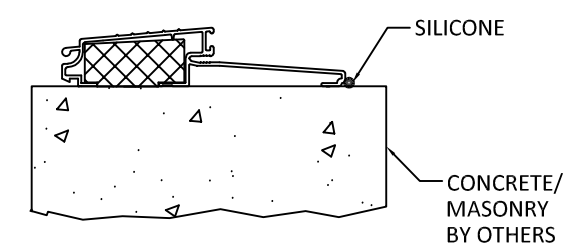
4
8 **OPERABLE SILL**
OUTSWING - NO ANCHOR REQUIRED



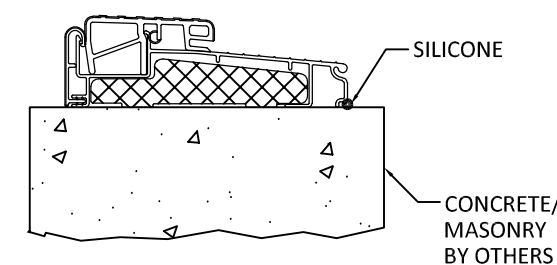
6
8 **OPERABLE SILL**
INSWING - NO ANCHOR REQUIRED



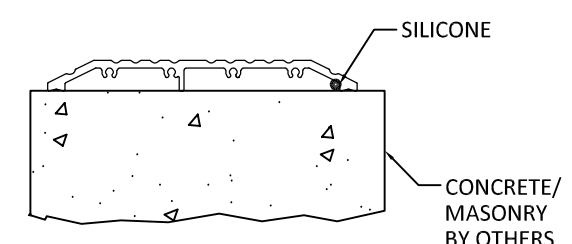
7
8 **OPERABLE SILL**
OUTSWING - NO ANCHOR REQUIRED
AFCO H-497



8
8 **OPERABLE SILL**
OUTSWING - NO ANCHOR REQUIRED



9
8 **OPERABLE SILL**
OUTSWING - NO ANCHOR REQUIRED



10
8 **OPERABLE SILL**
OUTSWING/INSWING - NO ANCHOR REQUIRED

1 OPTIONALLY, ANCHOR CAN BE PLACED IN NARROW SECTION OF HEAD OR JAMB AS LONG AS MINIMUM EMBEDMENT AND EDGE DISTANCE ARE ACHIEVED.

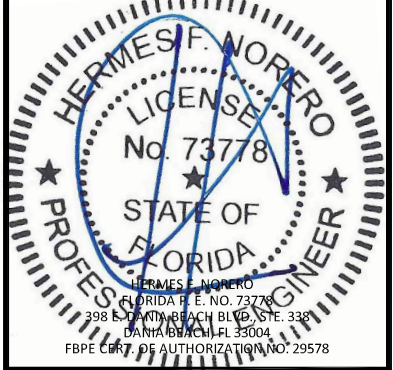
TITLE: DESIGN PRO/SMOOTH PRO FULL LITE NON-IMPACT CONCRETE INSTALLATION

3737 LAKEPORT BLVD.,
 KLAMATH FALLS, OR 97601
 PH: (541)882-3451
 FAX: (541)850-2609

JELD-WEN
 WINDOWS & DOORS

REMARKS	BY	DATE
Add ADA sill, Multi-Point Lock	GL	06/05/14
Reference DWG. #A010832A	AM	09/04/19

THE INSTALLATION DETAILS DESCRIBED HEREIN ARE GENERIC AND MAY NOT REFLECT ACTUAL CONDITIONS FOR A SPECIFIC SITE. IF SITE CONDITIONS CAUSE INSTALLATION TO DEVIATE FROM THE REQUIREMENTS DETAILED HEREIN, A LICENSED ENGINEER OR ARCHITECT SHALL PREPARE SITE SPECIFIC DOCUMENTS FOR USE WITH THIS DOCUMENT.



DATE: 02.05.14

DWG. BY: GL/TJM	CHK. BY: SS/MSS
-----------------	-----------------

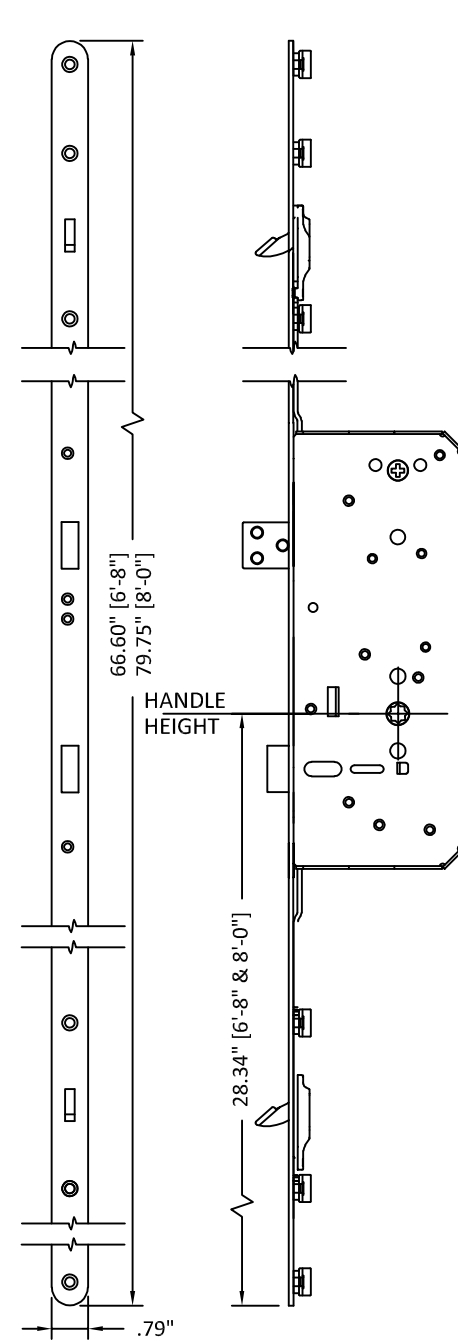
SCALE: NTS

DWG. #: D015687

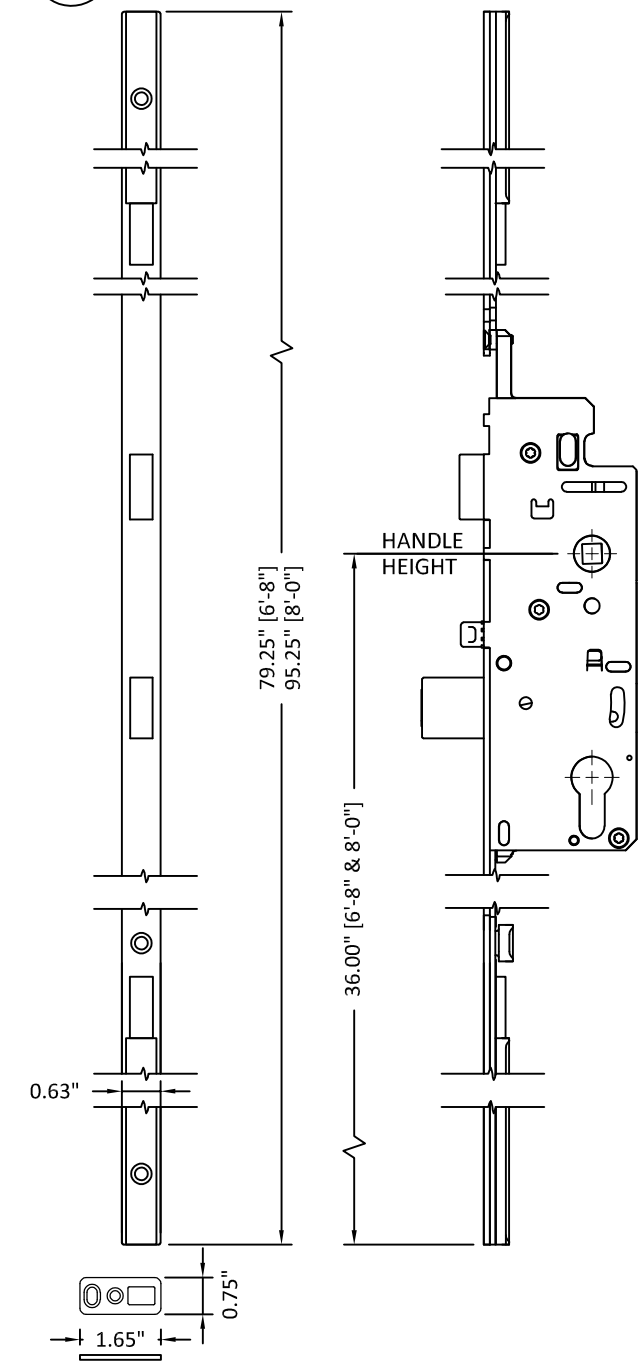
SHEET: 8 OF 9

BILL OF MATERIALS		
ITEM#	DESCRIPTION	MATERIAL
1	FRAME HEAD/JAMBS	FINGER-JOINTED PINE
		SOLID PINE
		LAMINATED VENEER LUMBER
		COMPOSITE
2	(NOT USED)	-
3	(NOT USED)	-
4	THRESHOLD	-
5	THRESHOLD	-
6	THRESHOLD	-
7	AFCO H-497 THRESHOLD	-
8	THRESHOLD	-
9	THRESHOLD	-
10	ADA THRESHOLD	-
11	WEATHERSTRIP	URETHANE FOAM & POLYETHYLENE
12	NON-COMPRESSION SHIM (0.25" MAX. THK.)	COMPOSITE
13	ODL LIPLITE KIT (RADIUS LITES)	PLASTIC
14	1" O.A. IG TEMPERED NON-IMPACT GLASS	-
15	#10 WOOD INSTALLATION SCREW W/ 1 1/2" MIN. EMBEDMENT	STEEL
16	CONC./CMU ANCHOR (SEE ANCHOR TABLE SHEETS 2 & 3)	STEEL
17	BUTT HINGE (SEE SCHEDULE SHEET 5)	STEEL
18	LOCK SERIES 400	STEEL
19	DEADBOLT SERIES 780	STEEL
20	ROCKWELL MULTI-POINT TONGUE LATCH # 73228768 6-8 UNIT	STEEL
	ROCKWELL MULTI-POINT TONGUE LATCH #73228780 8-0 UNIT	
21	HOPPE MULTI-POINT HARDWARE HLS9000	STEEL
22	ODL LIPLITE KIT (NI)	PLASTIC
23	FLUSH GLAZING LEG	FIBERGLASS
24	ODL LIPLITE KIT (VENT LITES)	PLASTIC
25	HOPPE MULTI-POINT HEAD SHOOT BOLT PLATE LH #8784091	STEEL
26	HOPPE MULTI-POINT HEAD SHOOT BOLT PLATE RH #8783923	STEEL
27	FLAT LITE KIT	ALUMINUM
28	PU DOOR CORE	

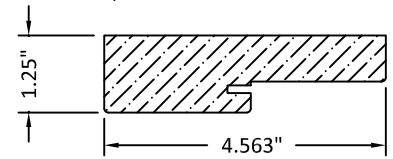
20 ROCKWELL MULTI-POINT LOCK



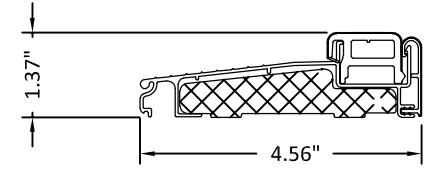
21 HOPPE MULTI-POINT LOCK W/ SILL SHOOT BOLT PLATE #2098911



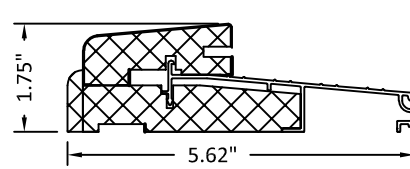
1 FRAME HEAD/JAMBS VARIES, SEE BOM ABOVE



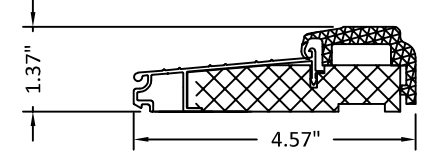
4 THRESHOLD



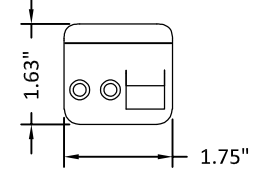
5 THRESHOLD



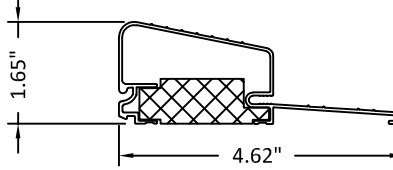
6 THRESHOLD



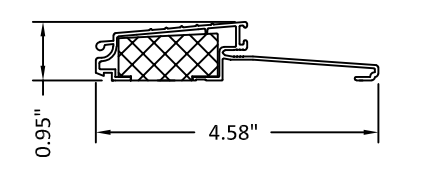
25 HEAD SHOOT BOLT PLATE (LH)



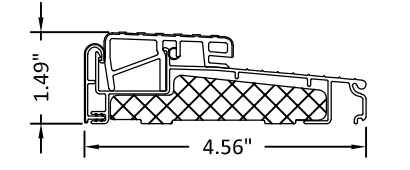
7 AFCO H-497 THRESHOLD



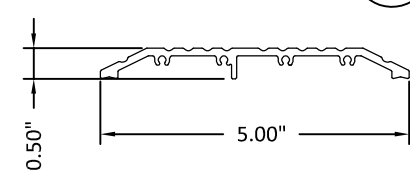
8 THRESHOLD



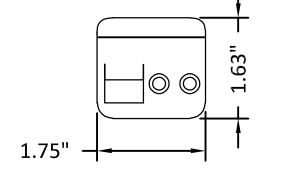
9 THRESHOLD



10 ADA THRESHOLD



26 HEAD SHOOT BOLT PLATE (RH)



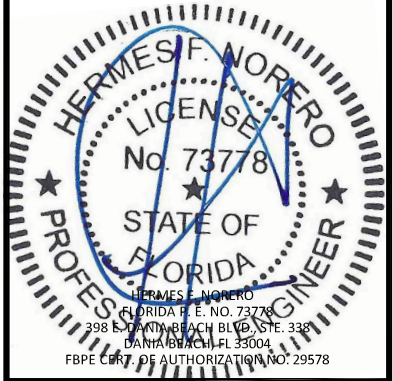
PREPARED BY:

BUILDING DROPS, INC.
 398 E. DANIA BEACH BLVD., STE. 338
 DANIA BEACH, FL 33004
 PH: (954)399-8478
 FAX: (954)744.4738
 WEB: www.buildingdrops.com

TITLE: DESIGN PRO/SMOOTH PRO FULL LITE NON-IMPACT
 COMPONENTS AND BILL OF MATERIALS
 3737 LAKEPORT BLVD.,
 KLAMATH FALLS, OR 97601
 PH: (541)882-3451
 FAX: (541)850-2609


REMARKS	BY	DATE
Add ADA sill, Multi-Point Lock	GL	06/05/14
Reference DWG. #A010832A	AM	09/04/19

THE INSTALLATION DETAILS DESCRIBED HEREIN ARE GENERIC AND MAY NOT REFLECT ACTUAL CONDITIONS FOR A SPECIFIC SITE. IF SITE CONDITIONS CAUSE INSTALLATION TO DEVIATE FROM THE REQUIREMENTS DETAILED HEREIN, A LICENSED ENGINEER OR ARCHITECT SHALL PREPARE SITE SPECIFIC DOCUMENTS FOR USE WITH THIS DOCUMENT.



DATE: 02.05.14
 DWG. BY: GL/TJM
 CHK. BY: SS/MSS
 SCALE: NTS
 DWG. #: D015687
 SHEET: 9 OF 9